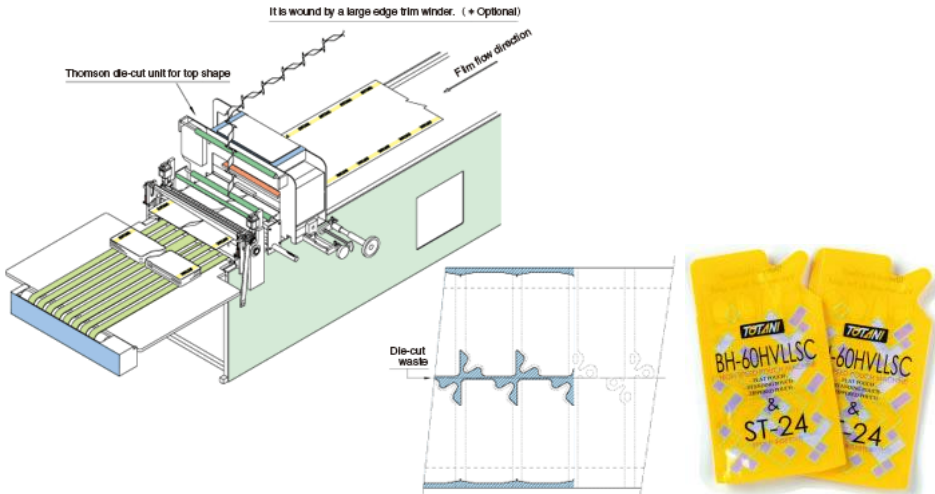


2013 Atlapac Top Shape Die Cutter Capabilities

Atlapac die-cut unit for top shape (Side seal)



- The servo driven die cut unit shape-cuts the film in the film flow.
- As it is different from male & female die-cut system, the blade die-cuts the film in-line production. It addresses the changes in pouch shape with shorter lead times and lower costs and can corresponds to various bag designs.
- It is available for the three side sealed pouch, pouch with zipper, standing pouch, and standing pouch with zipper.

Max. film width	580mm
Pouch size	Pouch width: 60mm~180mm (Max. pouch width :218mm, 238mm depending on option ordered) Pouch length: 540mm *The pouch size is restricted by the pouch shape and lines.
Standard Die cut size	540 mm (Film Width) x 180 mm (Feed Length) *Max. feed length: 218mm, 238mm depending on option ordered *When all length of blade is over 1500 mm, it will cause a failure of cutting. *Some films will cause a failure of cutting not more than 1500 mm.
Remark	<ol style="list-style-type: none"> 1. As the die-cut unit for top shape requires 500 mm space on the film flow, the extension of the machine's main body may be necessary (optional). 2. Simultaneous use with the optional skipping device is available. 3. The life of blade depends on the film material.